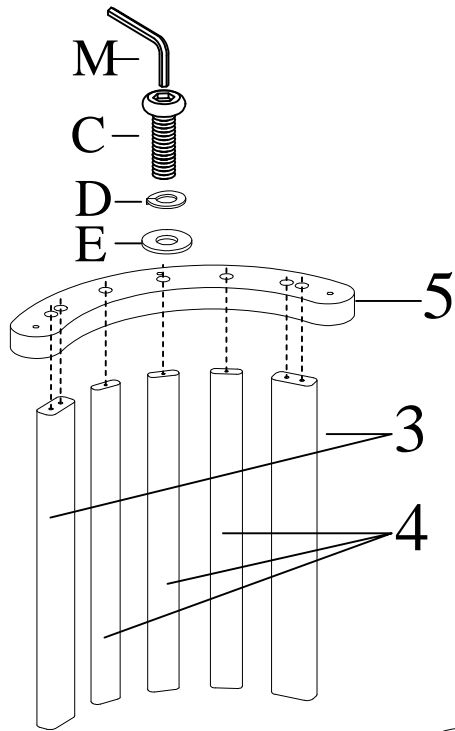


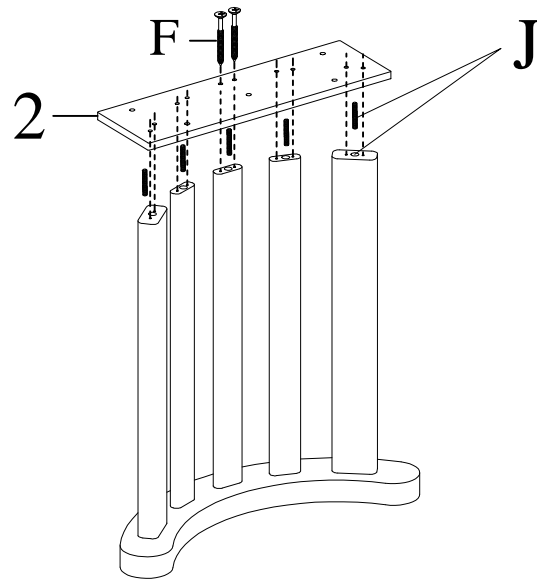
TABLE ASSEMBLY

CD217 w. 77-87 ped base

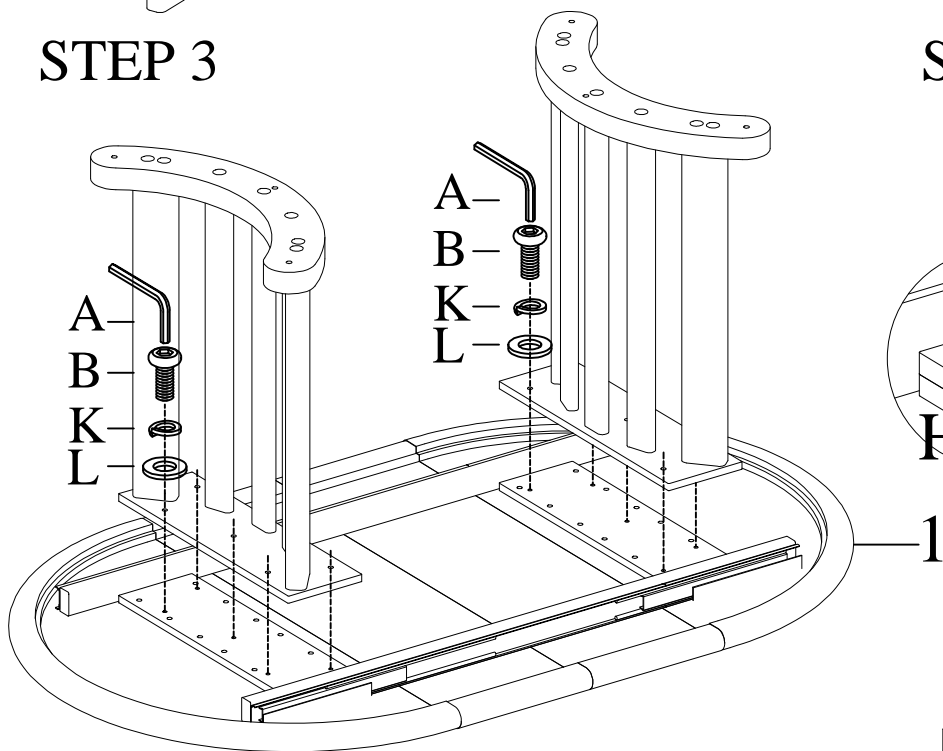
STEP 1



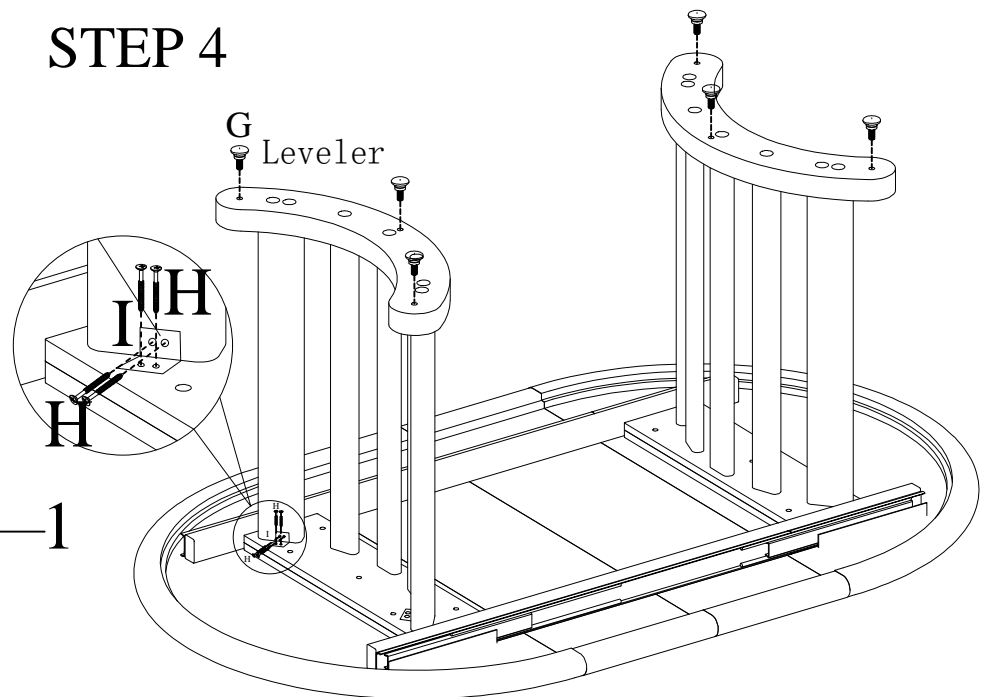
STEP 2



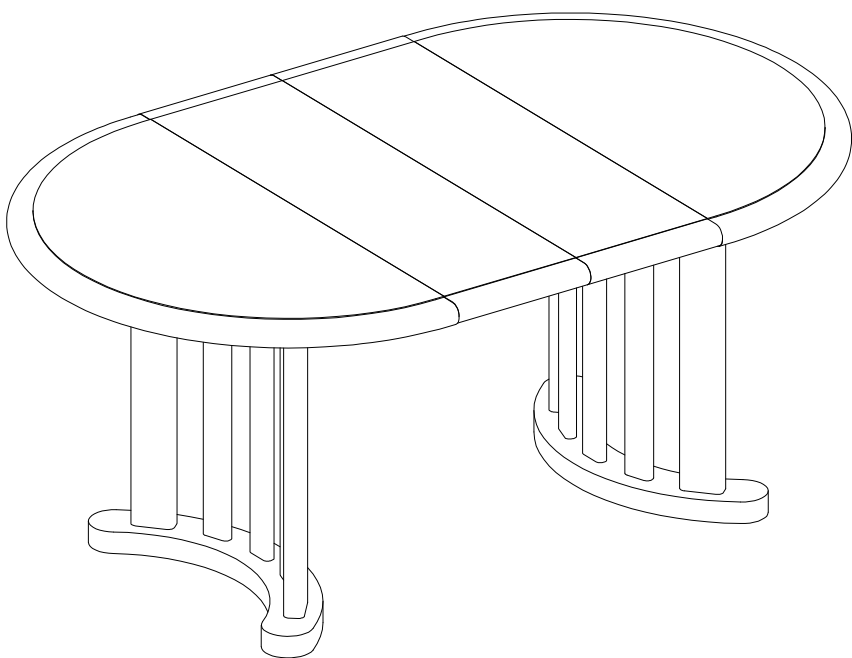
STEP 3



STEP 4



STEP 5



LIST OF HARDWARE AND PARTS:

NO.		Description		Q'ty
A		Allen key	M4	1
B		Bolt (table top plate to top)	Ø1/4" * 1 1/4"	10
C		Bolt (base bottom)	Ø3/8" * 2"	14
D		Spring washer	Ø3/8"	14
E		Washer	Ø3/8"	14
F		Screws (into top plate & uprights)	#8 x 1/16"	20
G		Leveler	#1/4"	6
H		screws to metal angle bracket	#8 x 7/8"	16
I		metal angle bracket	1" x 1" x 1/8"	4
J		Wood Dowels	1-1/2" x 3/8"	10
K		Spring washer	Ø1/4"	10
L		Washer	Ø1/4"	10
M		Allen key	Ø3/8"	1
1		Table Top		1
2		Plywood plate		2
3		Big column		4
4		Small column		6
5		Wood base		2