

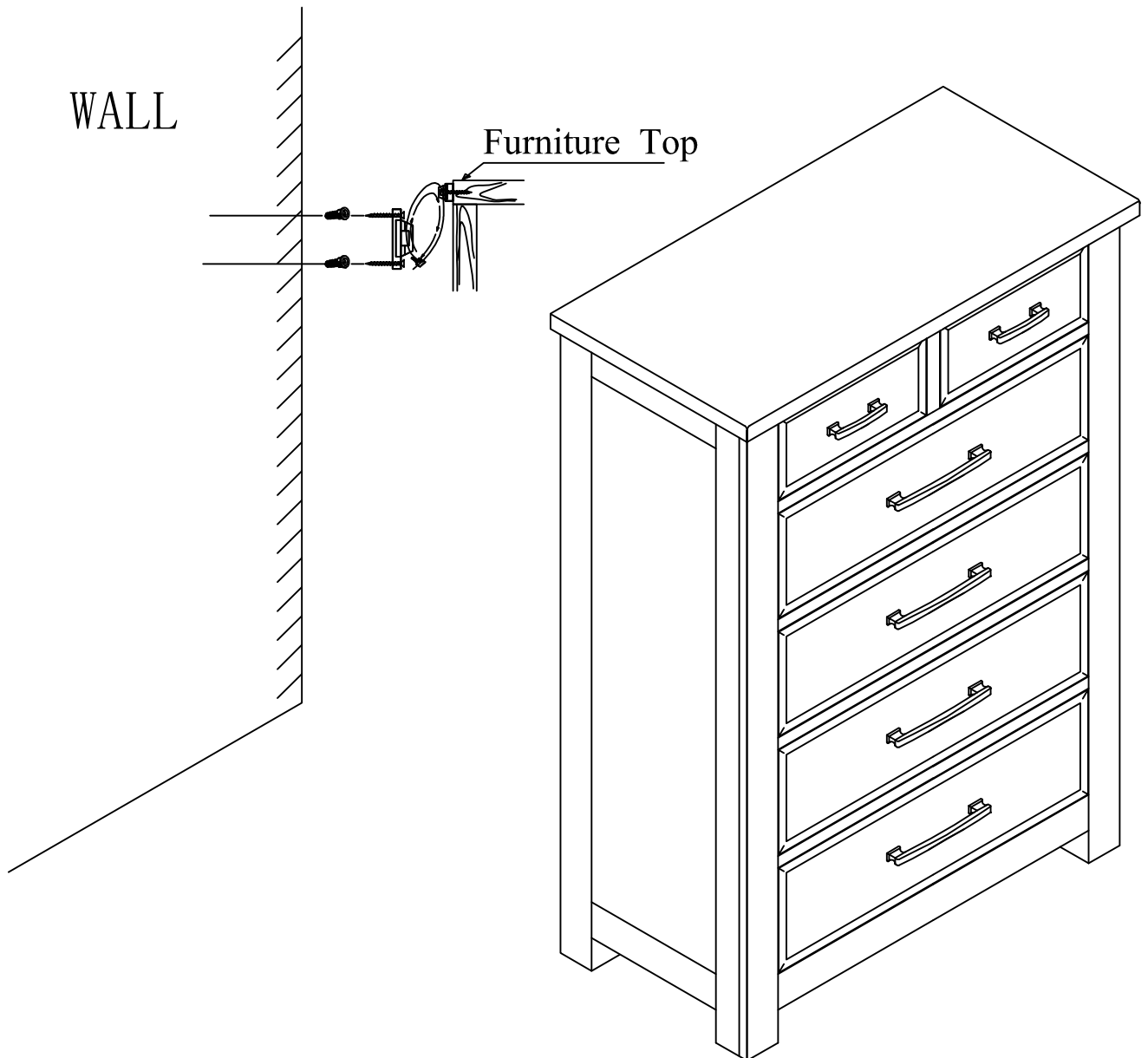
Cochrane®

"A Division of CRD Industries Ltd"

ASSEMBLY INSTRUCTION

ITEM NO: 3745-DC

CHEST



NOTE: WE HAVE LABELED EACH LEG AND EACH CORNER BLOCK ON FRAME WITH 1. 2. 3. 4. PLS ATTACH LEG ACCORDLINGLY

DO NOT TIGHTEN SCREWS
UNTIL COMPLETELY ASSEMBLED