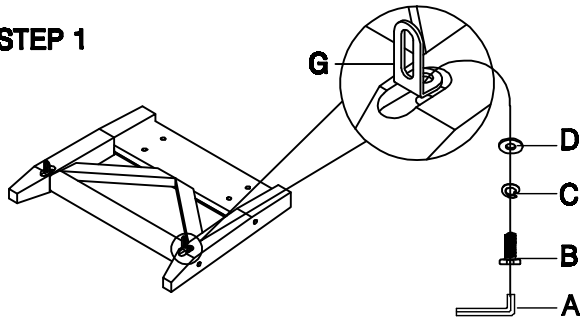




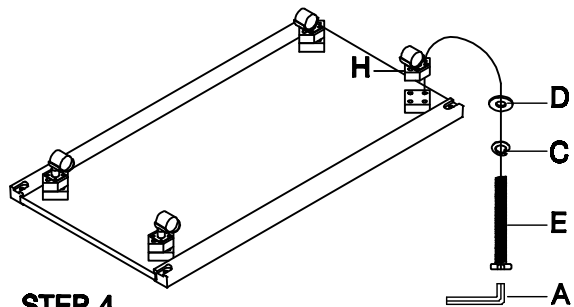
# ASSEMBLY INSTRUCTION

ITEM NO:2919-21

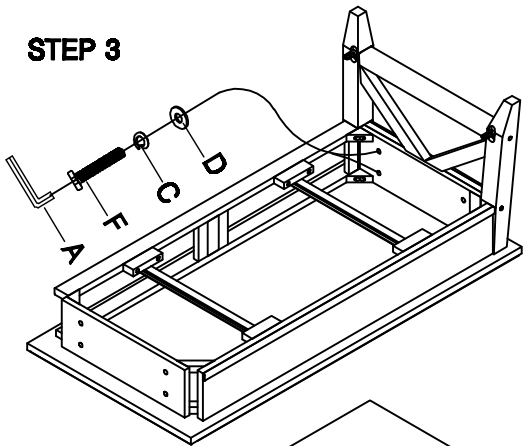
STEP 1



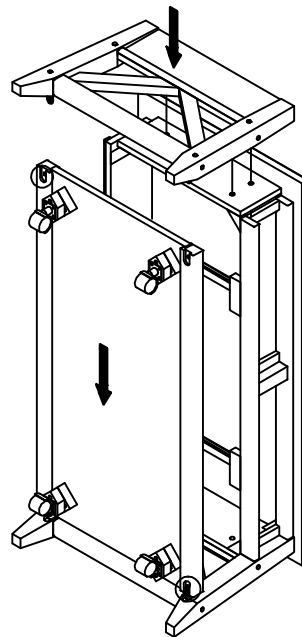
STEP 2



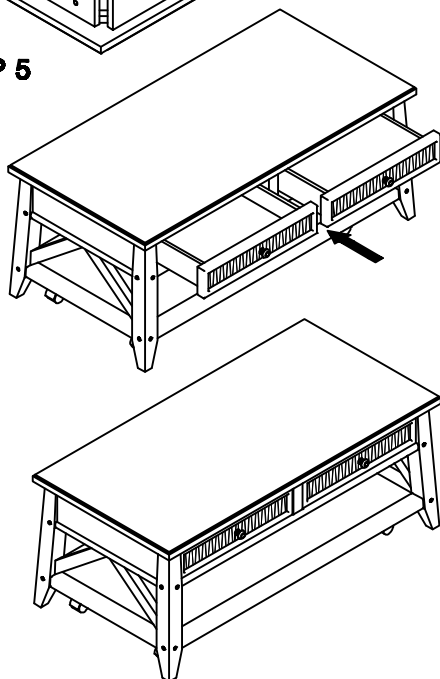
STEP 3



STEP 4



STEP 5



**DO NOT TIGHTEN SCREWS  
UNTIL COMPLETELY ASSEMBLED**

Item	Sketch	Description	Qty
A		Allen Wrench 1/4"	1 PC
B		Bolt 1/4"x5/8"	8 PCS
C		Lock Washer 1/4"	24 PCS
D		Flat Washer 1/4"x16mm	24 PCS
E		Bolt 1/4"x2"	8 PCS
F		Bolt 1/4"x1-1/4"	8 PCS
G		"L" Bracket 40*20*18mm	4 PCS
H		Caster	4 PCS