

Assembly Instructions

25457 / 25057

OVAL B'FLY HI/LO PEDESTAL TABLE

HARDWARE PART:









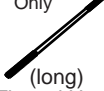
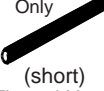
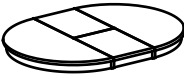


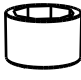
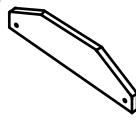
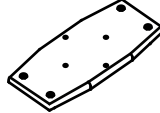
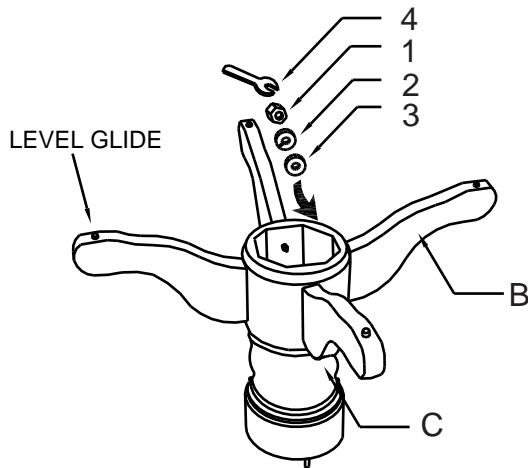
1  Hex Nut 12 pcs	2  Lock Washer (Large) 12 pcs	3  Flat Washer (Large) 12 pcs	4  Wrench 1 pc	5  JCBC Bolt 8 pcs	6  Lock Washer (Small) 8 pcs	7  Flat Washer (Small) 8 pcs	8  Allen Key 1 pc	9 For Gather Height Table Only  (long) Thread Head Bolt 4 pcs	10 For Dining Height Table Only  (short) Thread Head Bolt 4 pcs
--	--	--	--	--	---	--	---	---	---

TABLE PARTS:

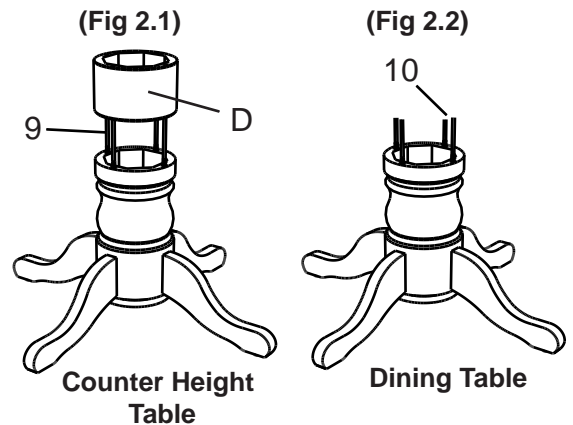
A  Table Top 1pc	B  Pedestal Leg 4pcs	C  Pedestal stand 1pc	D  Column 1pc	E  Side Panel 2pcs	F  Mounting plate 1pc
---	--	---	---	--	--

NOTE: THE UNIT SHOULD BE ASSEMBLED BY 2 OR MORE PEOPLE.

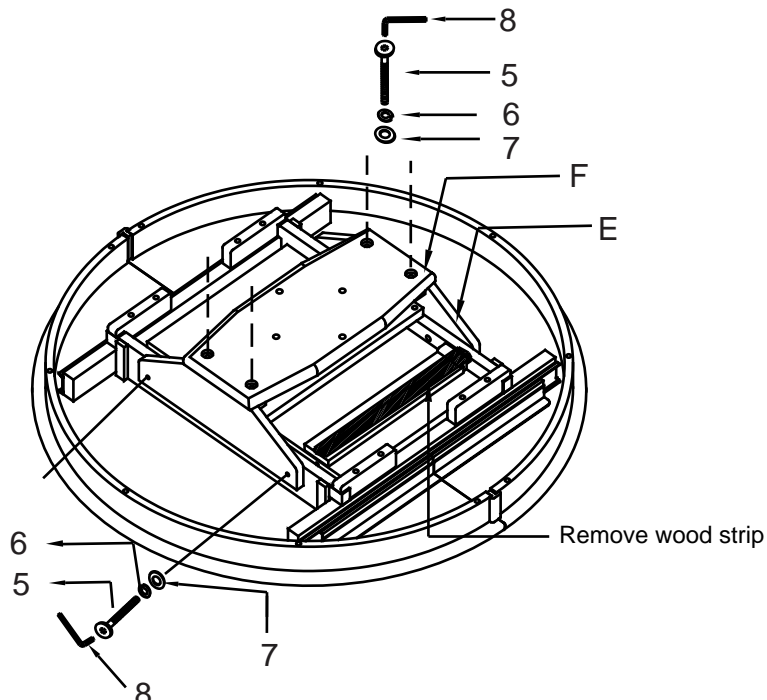
STEP 1



STEP 2



STEP 3

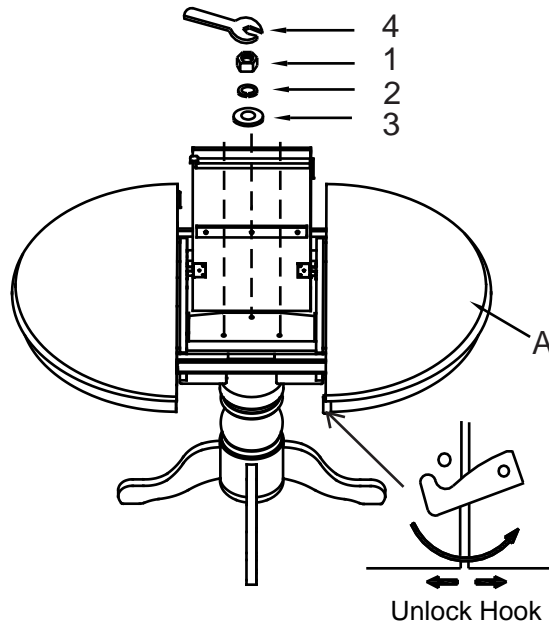


Assembly Instructions

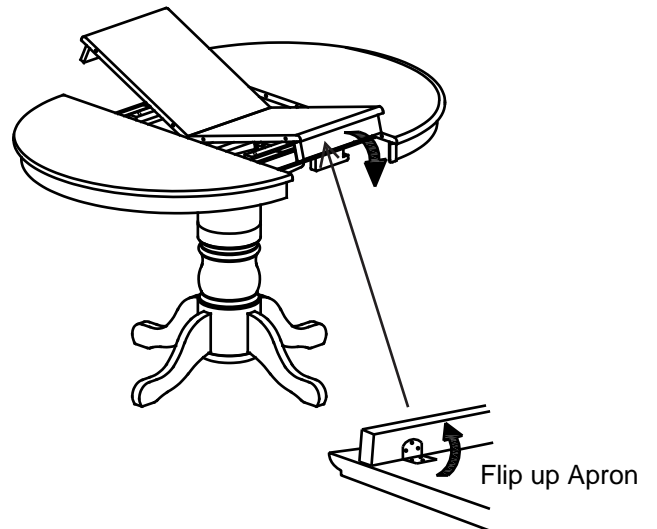
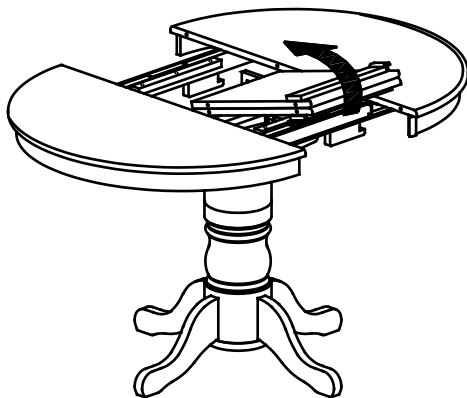
25457 / 25057

OVAL B'FLY HI/LO PEDESTAL TABLE

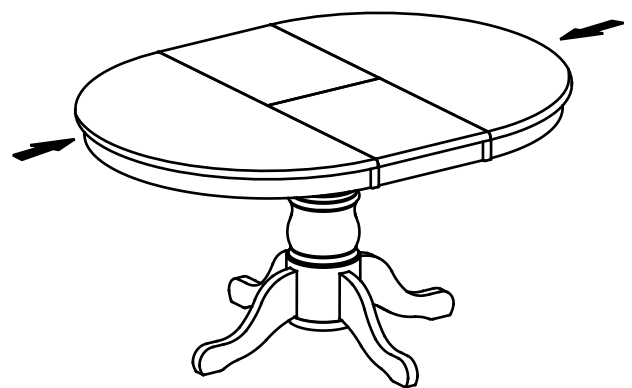
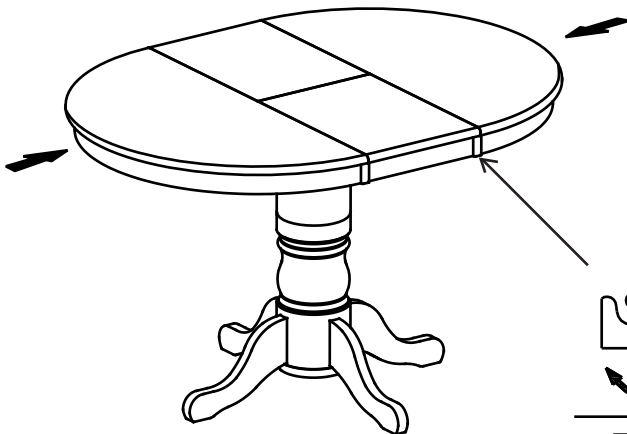
STEP 4



STEP 5



STEP 6



Lock Hook