

# Peters-Revington

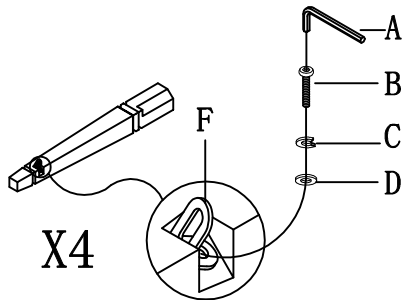
"A Division of CRD Industries Ltd"

## ASSEMBLY INSTRUCTION

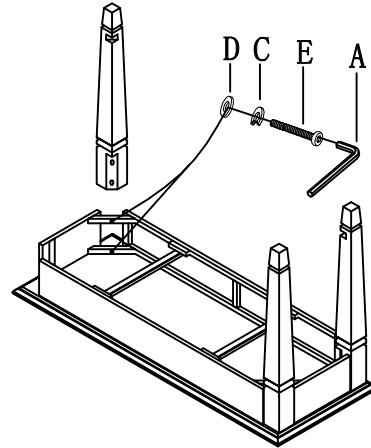
ITEM NO:2509-50

SOFA TABLE

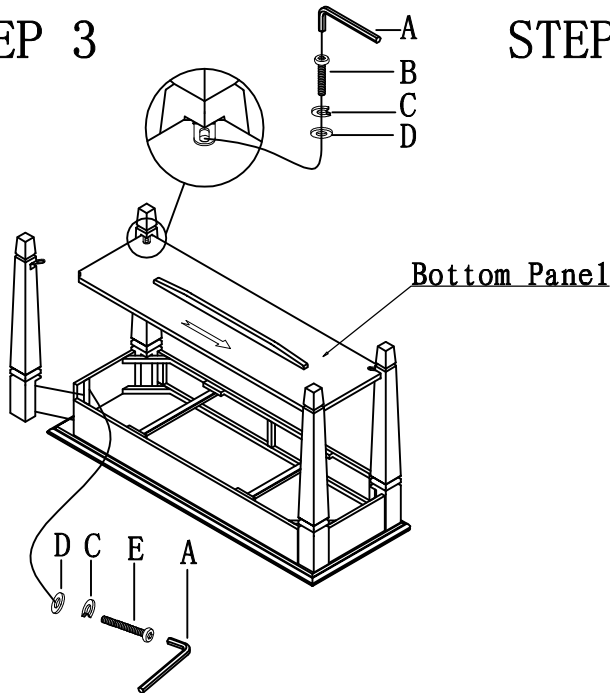
### STEP 1



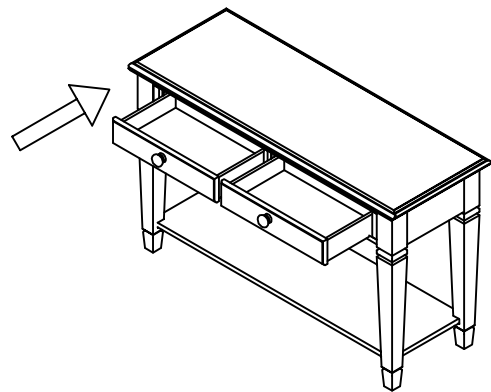
### STEP 2



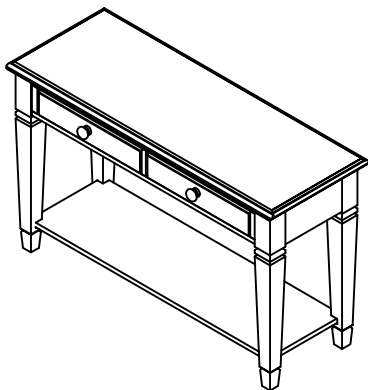
### STEP 3



### STEP 4



### STEP 5



**DO NOT TIGHTEN SCREWS  
UNTIL COMPLETELY ASSEMBLED**

Item	Sketch	Description	Qty
A		Allen Wrench 1/4"	1pc
B		Bolt 1/4"x5/8"	8pcs
C		Lock Washer 1/4"	16pcs
D		Flat Washer 1/4"x16mm	16pcs
E		Bolt 1/4"x2"	8pcs
F		"L" Bracket	4pcs