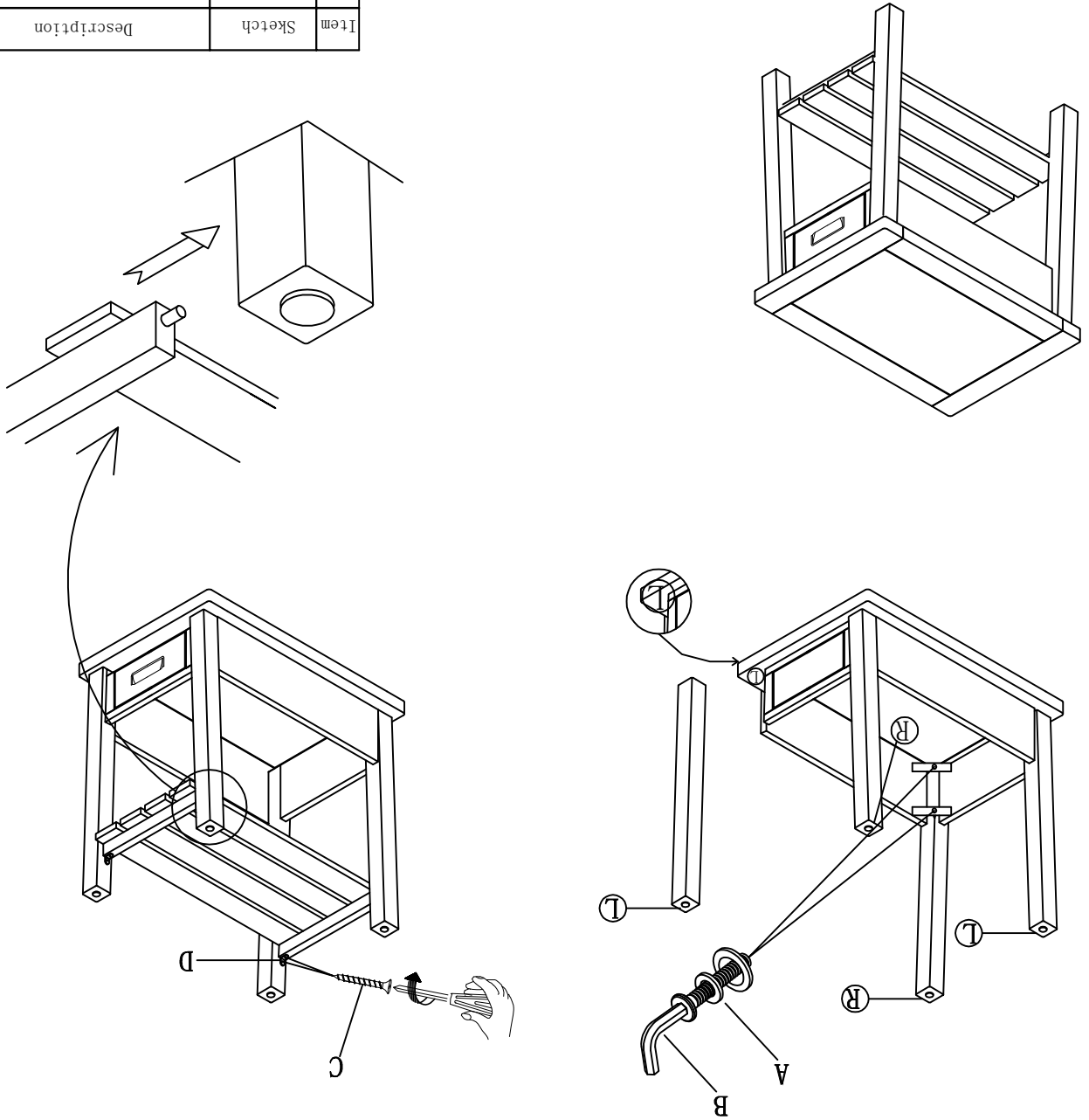


ASSEMBLY INSTRUCTION

ITEM NO: 2501-23

CHAIRSIDE END TABLE



Qty	Description	Sketch	Item
8 PCS	Ø5/16"x20 x 2-1/2" Allen bolt		A
8 PCS	Ø5/16 Spring washer		
8 PCS	Ø5/16" Flat washer		
1 PC	Allen Key		B
8 PCS	Screw #8*20		C
4 PCS	Metal connector		D