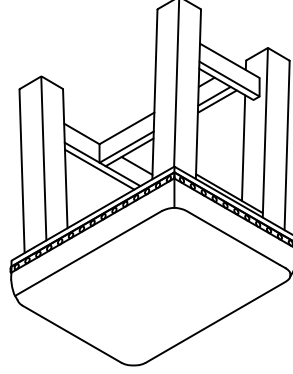
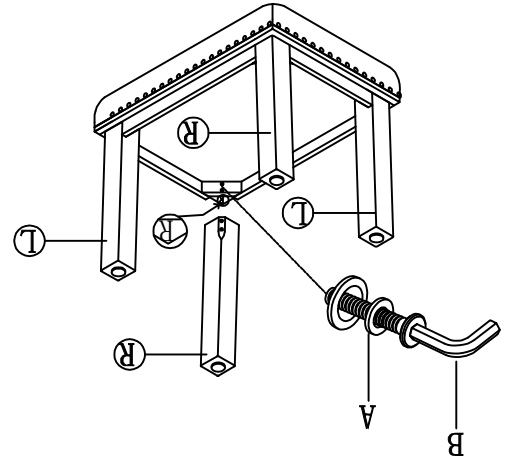
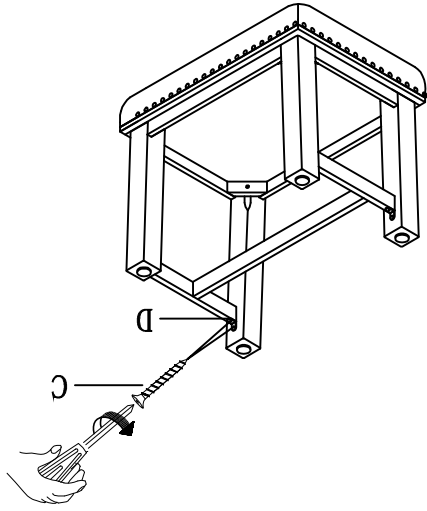


# ASSEMBLY INSTRUCTION

ITEM NO: 2501-18

UPH BENCH



NOTE: WE HAVE LABELED EACH LEG AND EACH CORNER BLOCK ON FRAME WITH L & R PLS ATTACH LEG ACCORDINGLY

DO NOT TIGHTEN SCREWS UNTIL COMPLETELY ASSEMBLED

Item	Sketch	Description	Qty
A		Ø5/16"x20 x 2" Allen bolt	8 PCS
		Ø5/16 Spring washer	8 PCS
		Ø5/16" Flat washer	8 PCS
B		Allen Key	1 PC
C		Screw #8*20	8 PCS
D		Metal connector	4 PCS