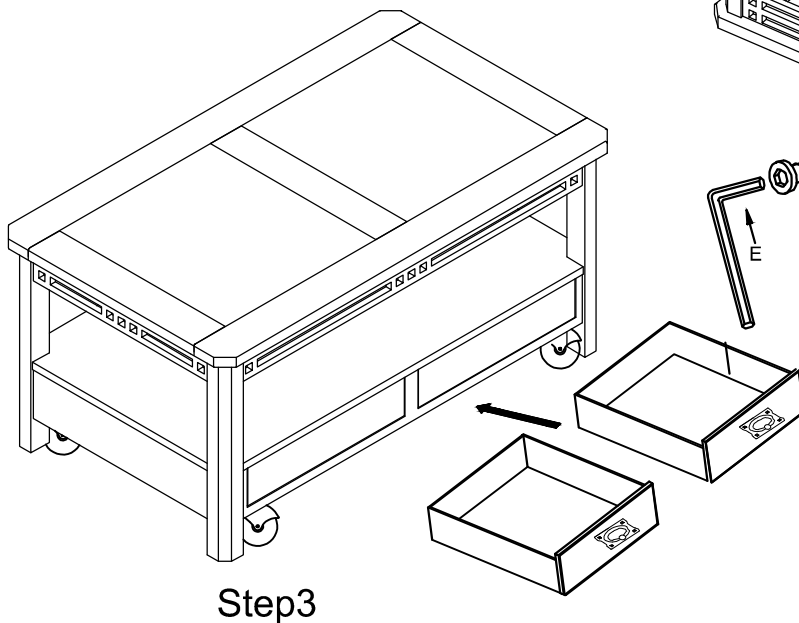
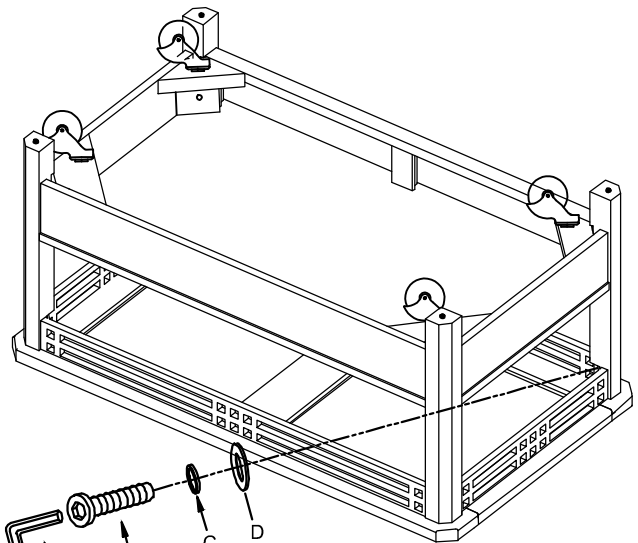
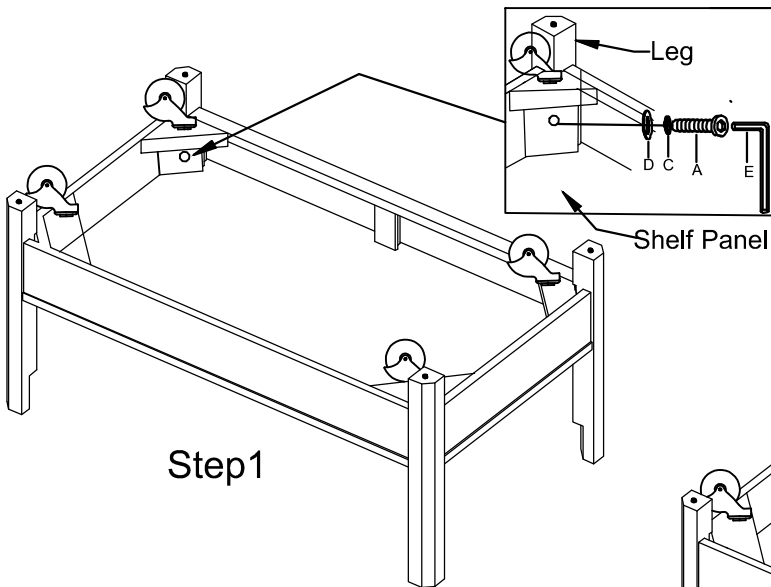




ASSEMBLY INSTRUCTION

ITEM NO: 2208-21

STANDARD COCKTAIL TABLE



**DO NOT TIGHTEN SCREWS
UNTIL COMPLETELY ASSEMBLED**

Item	Sketch	Description	Qty
A		Bolt $\Phi 1/4" \times 1-3/4"$	4pcs
B		Bolt $\Phi 1/4" \times 1"$	4pcs
C		Lock Washer $\Phi 1/4"$	8pcs
D		Flat Washer $\Phi 1/4" \times 16\text{mm}$	8pcs
E		Allen Wrench $\Phi 1/4"$	1pc
F		Bottom Roller 65mmH($\Phi 50\text{mm}$)	4pcs
G		Wrench 16mm	1pc