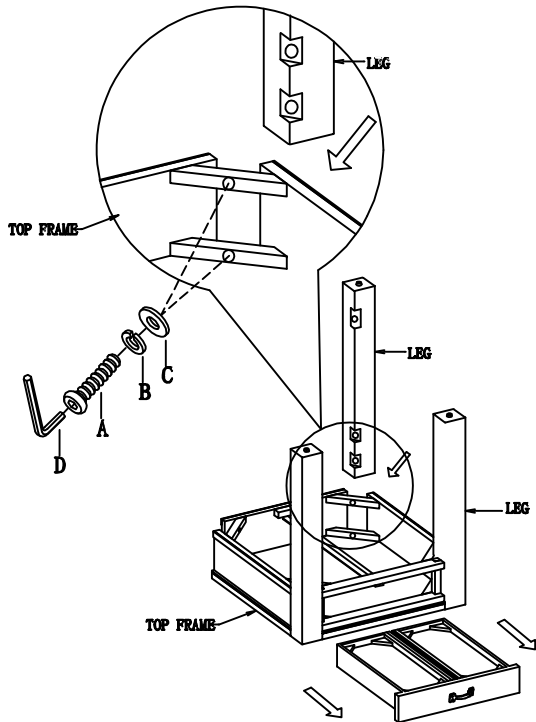


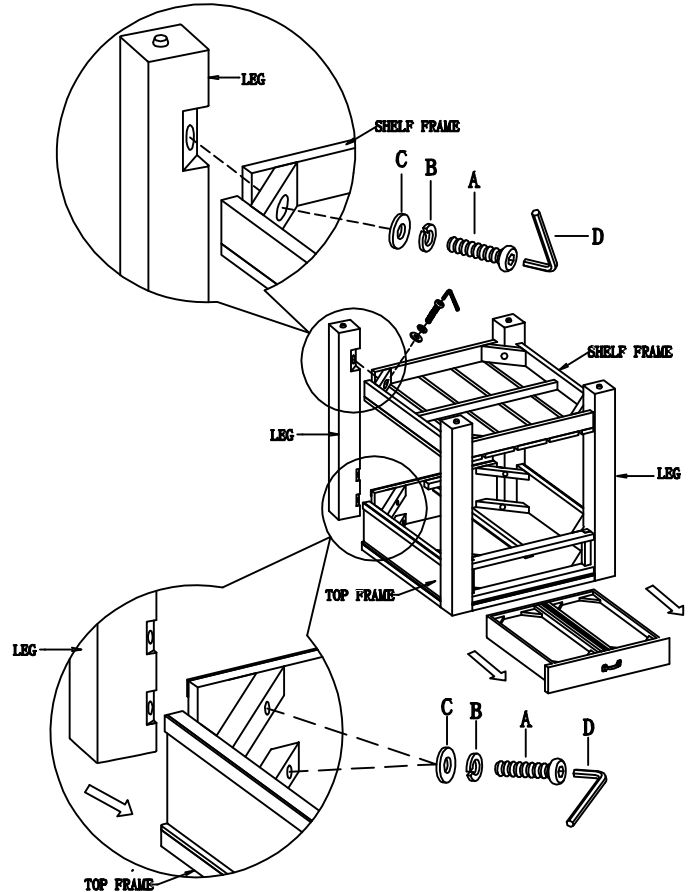
Peters-Revington

ASSEMBLY INSTRUCTION ITEM NO. : 2110-22 END TABLE

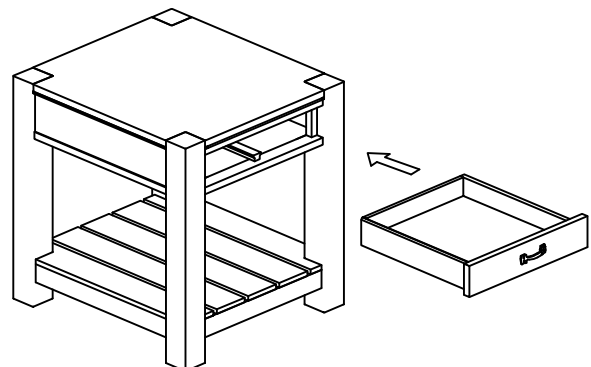
STEP 1







STEP 2



STEP 3



DO NOT TIGHTEN SCREWS
UNTIL COMPLETELY ASSEMBLED

| ITEM | SKETCH | DESCRIPTION | Q' TY |
|------|---|--|--------|
| A |  | BOLT $\varnothing 1/4 \times 2-3/8$ " | 12 PCS |
| B |  | LOCK WASHER $\varnothing 1/4$ " | 12 PCS |
| C |  | FLAT WASHER $\varnothing 1/4 \times 16$ MM | 12 PCS |
| D |  | ALLEN WRENCH $\varnothing 1/4$ " | 1 PC |