









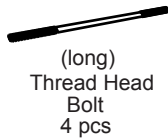
Assembly Instruction

SH2T425712CT / SH2B425712CT/SH2BXCT
SOLID BOATSHAPE BUTTERFLY EXT, DINNING TABLE

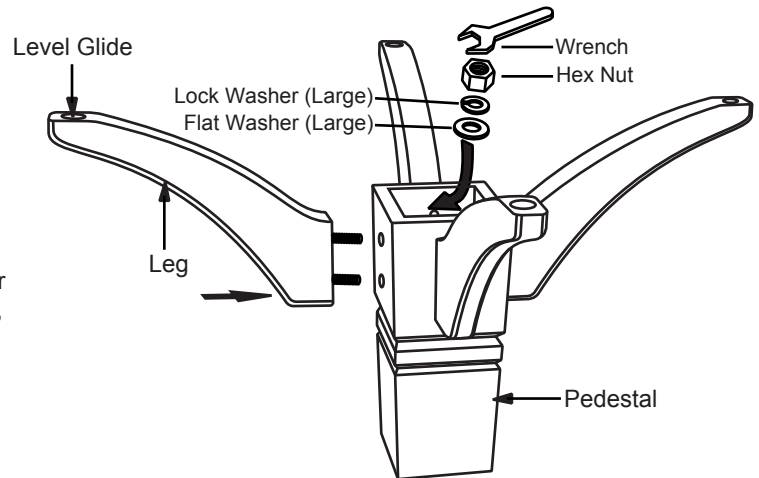
HARDWARE LIST :

							
Hex Nut 12 pcs	(Large) Lock Washer 12 pcs	(Large) Flat Washer 12 pcs	Wrench 1 pc	JCBC Bolt 8 pcs	(Small) Lock Washer 8 pcs	(Small) Flat Washer 8 pcs	Allen Key 1 pc

(A) For Gather Height Table only



(B) For Dining Height Table only



ASSEMBLY :

STEP 1

Turn the pedestal upside down. Attach legs by inserting hanger bolts through pre-drilled holes on pedestal, insert **Flat Washer**, **Lock Washer** and **Nut** onto the **Hanger Bolt** then tighten with the **Wrench** provided.

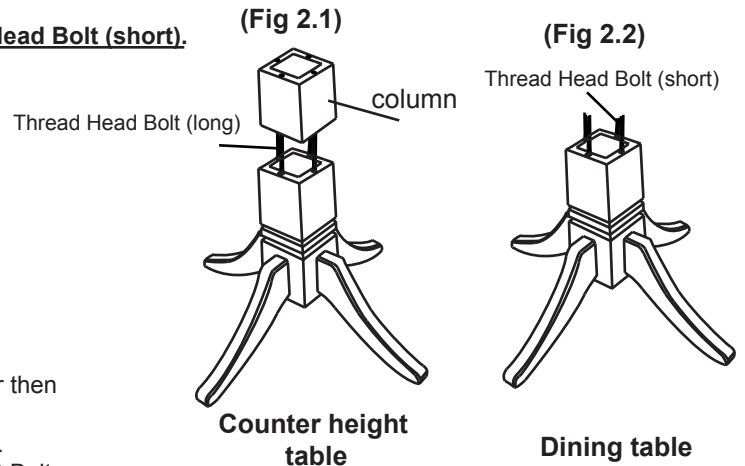
STEP 2

To build a Gather Height Table use Hardware (A) Thread Head Bolt (long).

2.1 Turn the base right side up. Insert the **Thread Head Bolt (long)** onto the **column** as shown in the below Figure 2.1.

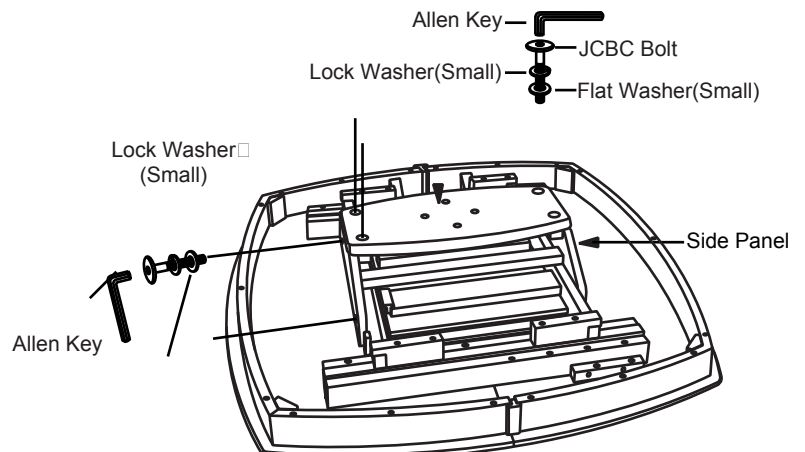
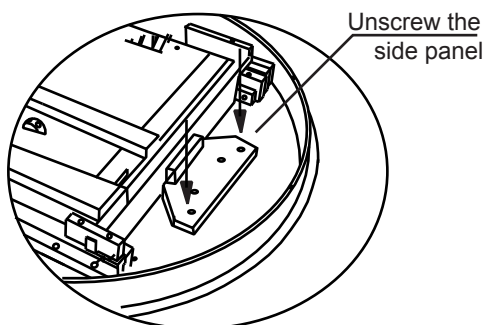
To build a Dining Height Table use Hardware (B) Thread Head Bolt (short).

2.2 Turn the base right side up. Insert the **Thread Head Bolt (short)** as shown in the below Figure 2.2.



STEP 3

Position the table top upside down on a smooth, protective surface such as carpet. Unscrew the side panel with screw driver then install the side panel and secure with Flat Washer (Small), Lock Washer (Small) and JCBC Bolt. Attach mounting plate as shown. Secure with Flat Washer (Small), Lock Washer (Small) and JCBC Bolt, then tighten all the bolts with Allen Key provided.

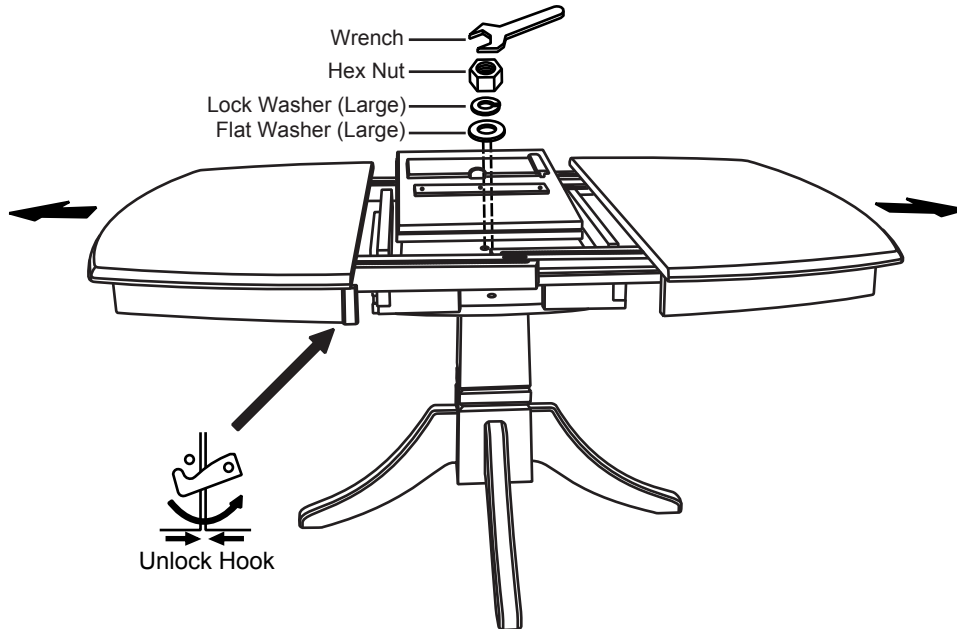


Assembly Instruction

SH2T425712CT / SH2B425712CT/SH2BXCT
SOLID BOATSHAPE BUTTERFLY EXT, DINNING TABLE

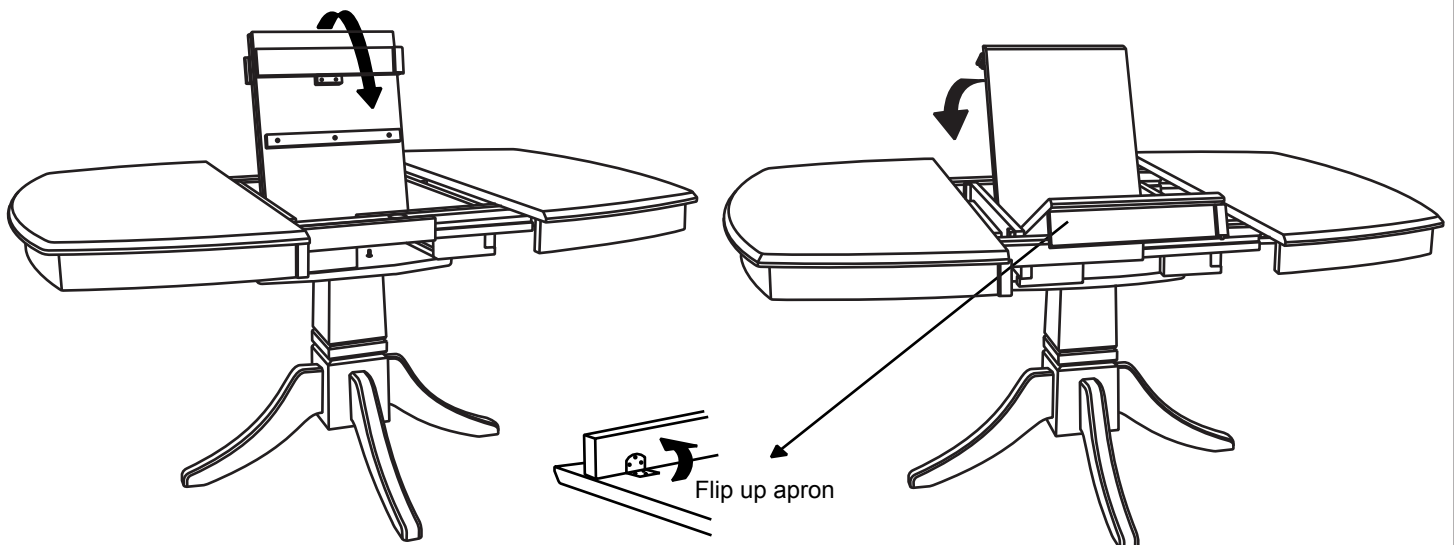
STEP 4

Unlock the hooks underneath the table and pull the table top wide open equally from bolt ends. Align and attach the table top to the pedestal. Insert a **Flat Washer, Lock Washer** and **Nut** onto the **Thread Head Bolt**. Tighten all **Nuts** with the **Wrench** provided.



STEP 5

Lift both leaves from the compartment and flip up the apron then unfold Table Leaf and place the leaf on the top surface carefully.

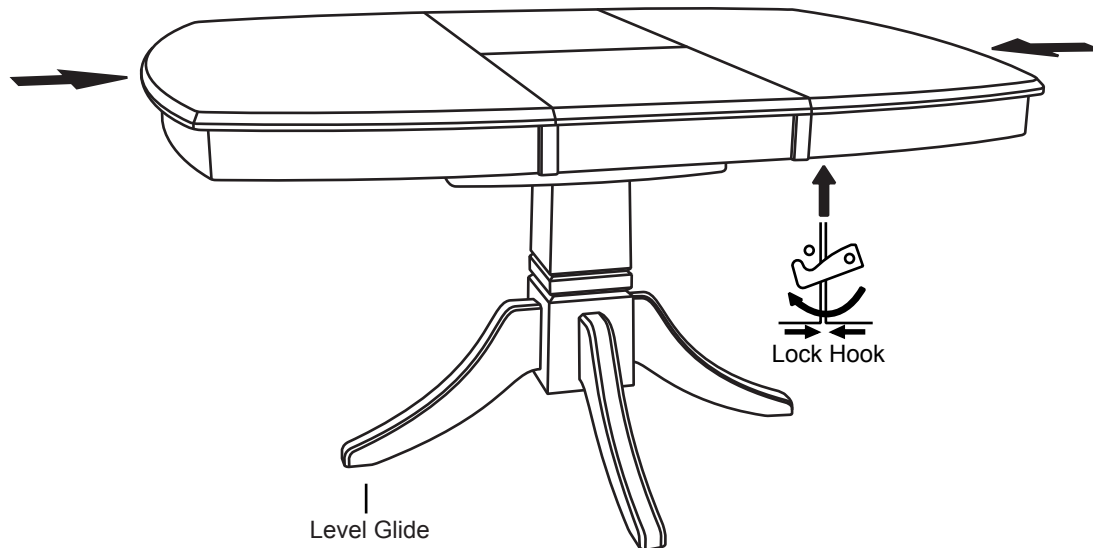


Assembly Instruction

SH2T425712CT / SH2B425712CT/SH2BXCT
SOLID BOATSHAPE BUTTERFLY EXT, DINNING TABLE

STEP 6

Push Table Top from both ends to close gap and lock the hooks underneath table. Adjust the level glides until the table sits firmly.



TO STORE THE CENTRE LEAF WHEN NOT IN USE

Unlock the hooks underneath the table and pull the table top wide open equally from both ends. Flip down the apron and fold the centre leaf to store within the compartment. Push table top from both ends to close. Lock the hooks underneath the table.

