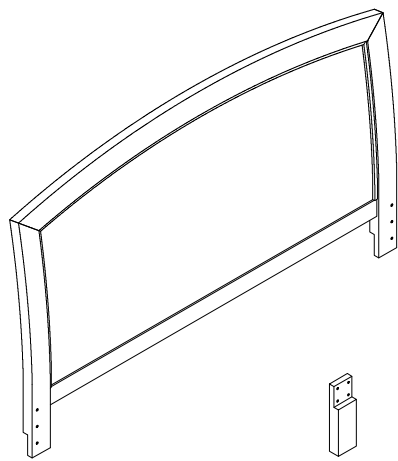


ASSEMBLY AND CARE INSTRUCTIONS - KEEP ON FILE E KING & QUEEN HEADBOARD

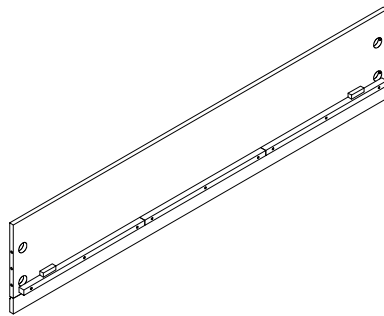
Item Model : 6000 QST 4.4
6001 EKST 4-3



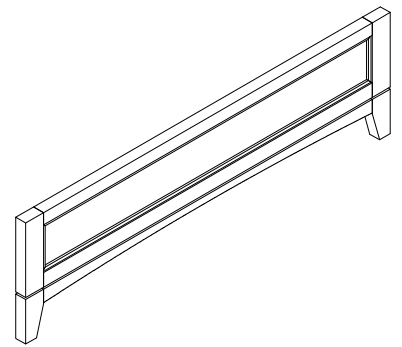
A



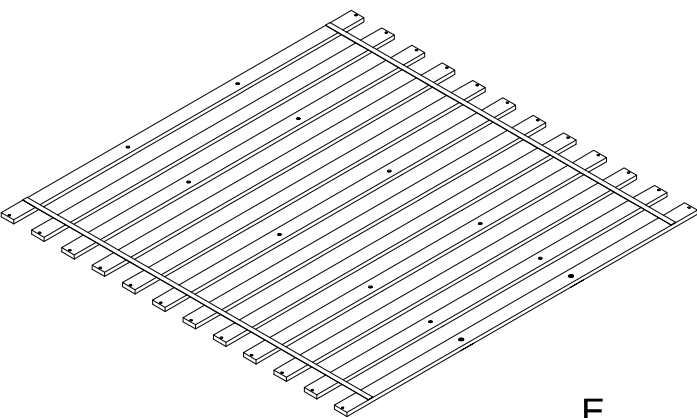
B



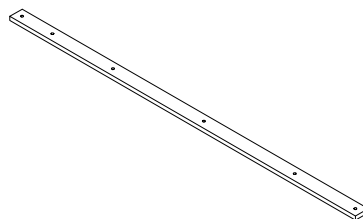
C



D



E



F

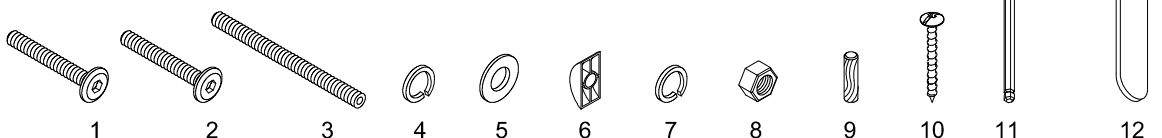


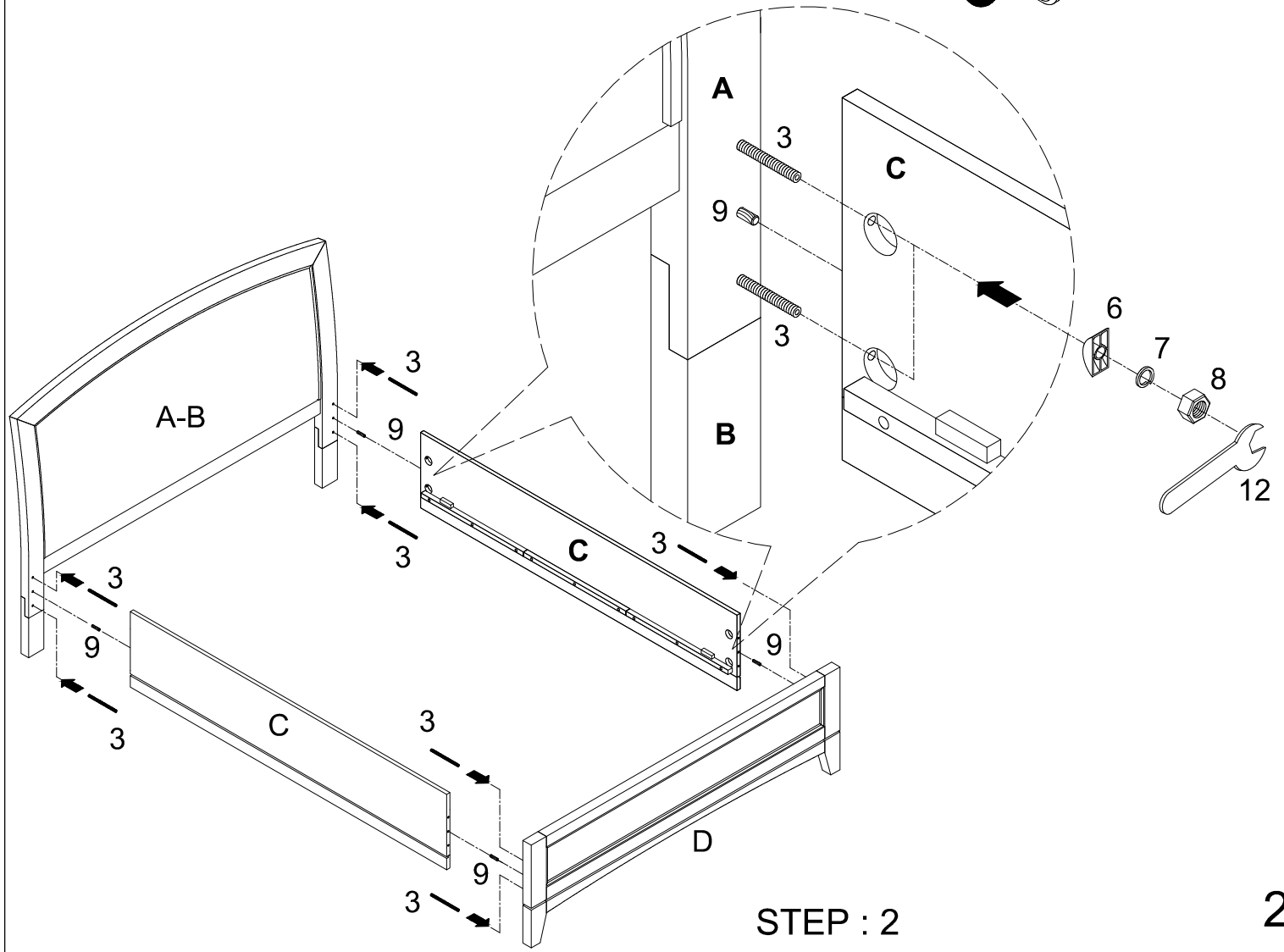
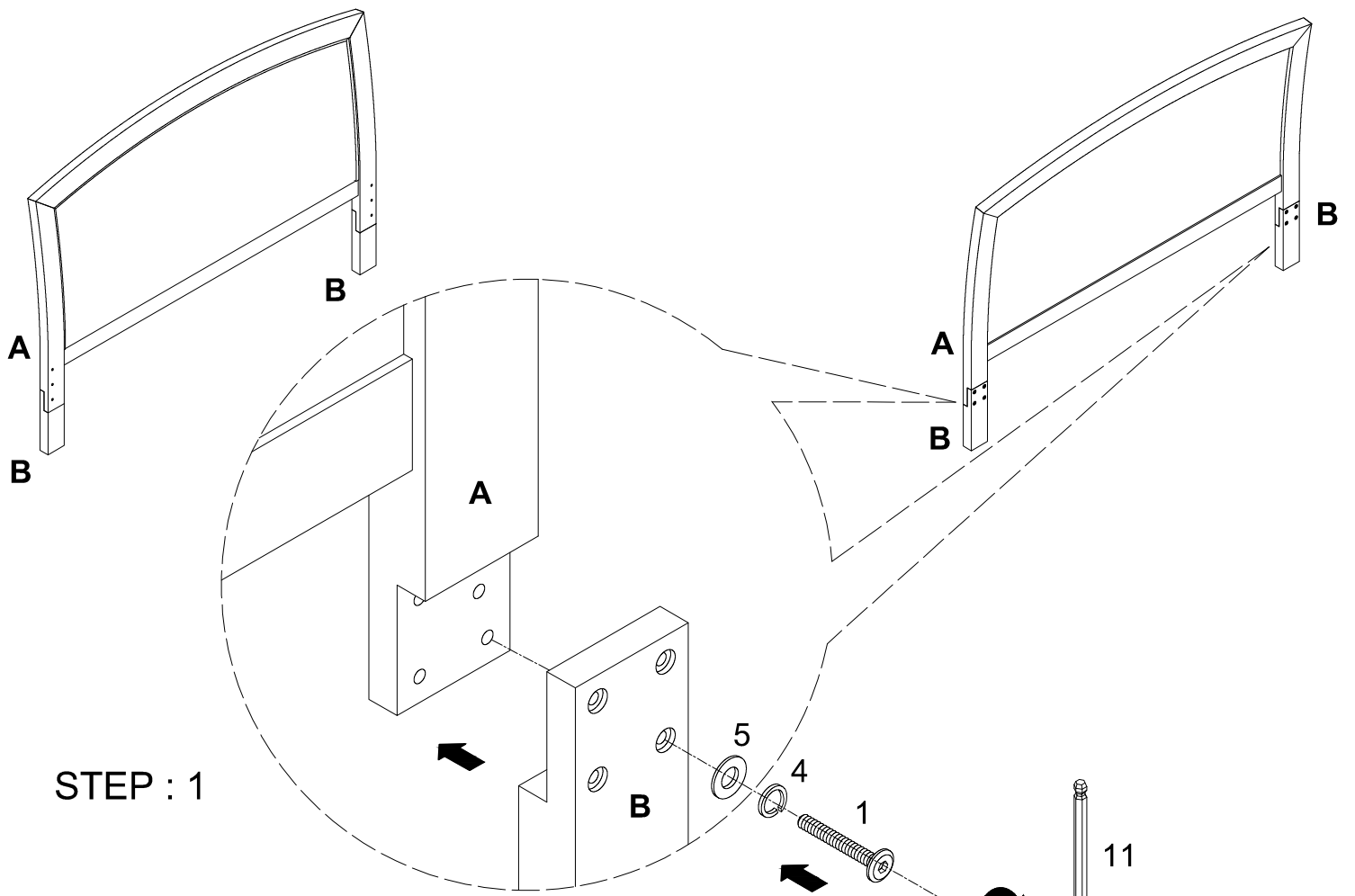
G

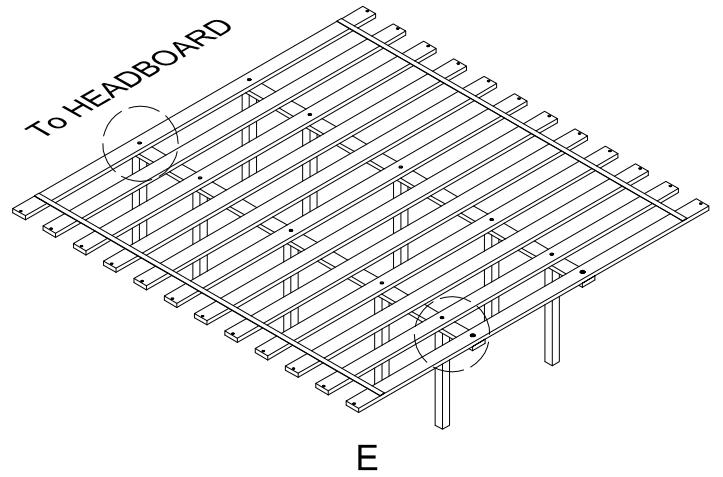
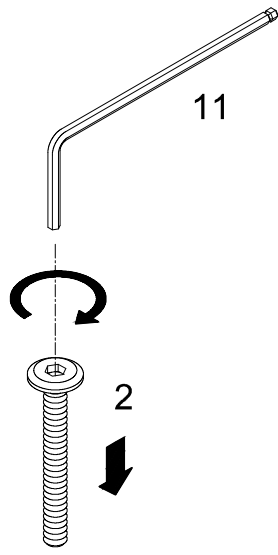
Hardware List:

- | | |
|-------------------------------------|---------|
| 1. Bolt 1/4" x 13*32..... | 10 pcs* |
| 2. Bolt 1/4" x 13*60..... | 10 pcs* |
| 3. Threaded bolt 5/16" x 65..... | 8 pcs* |
| 4. Flat washer 1/4"..... | 20 pcs* |
| 5. Spring washer 1/4"..... | 20 pcs* |
| 6. Haft moon washer 5/16"..... | 8 pcs* |
| 7. Spring washer 5/16"..... | 8 pcs* |
| 8. Hexagon nut 5/16 | 8 pcs |
| 9. Wood dowel ϕ 10 x 40mm..... | 4 pcs* |
| 10. Wood screw #8*32 | 24 pcs* |
| 11. Allen key | 1pcs |
| 12. Wrench | 1pcs |

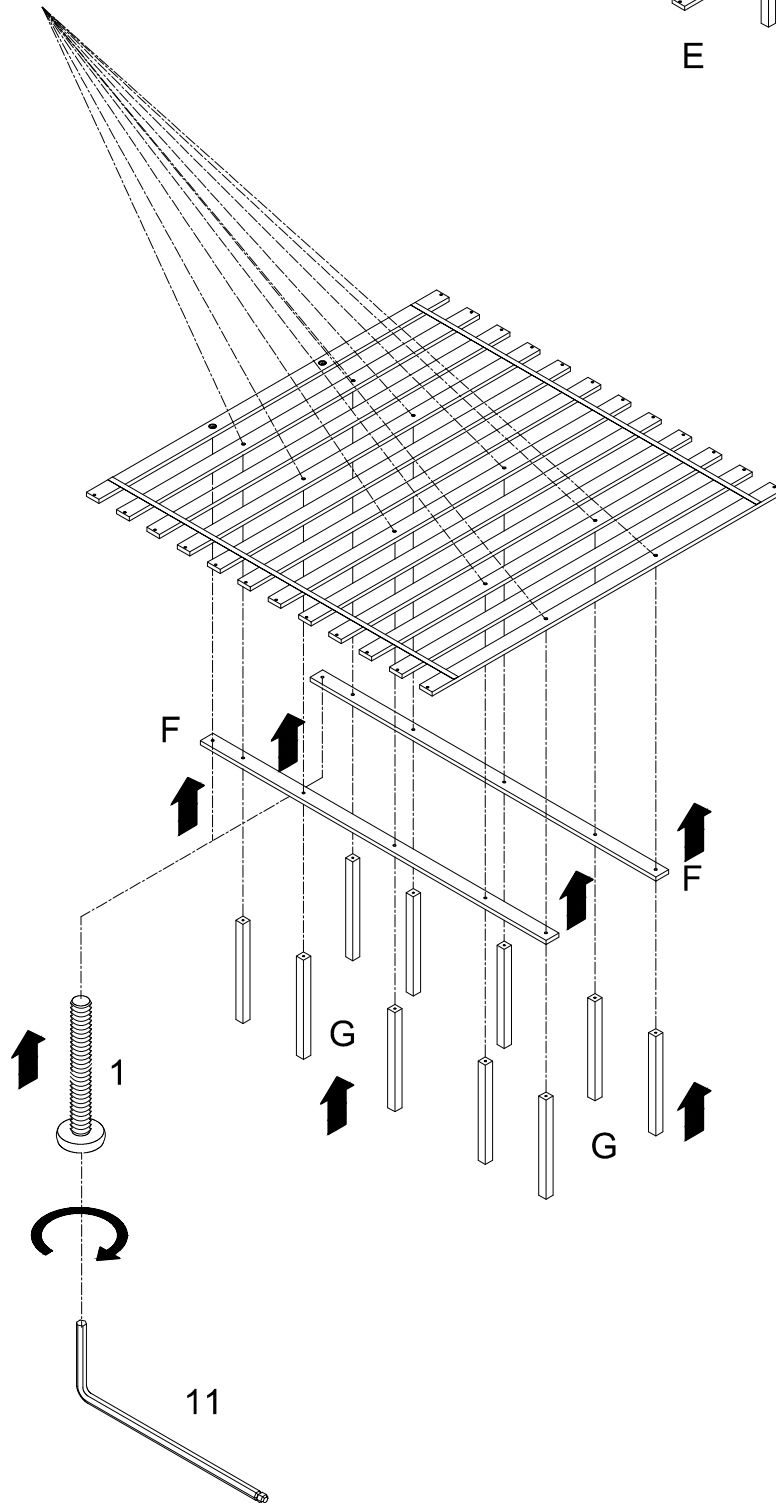
*Extra hardware included.







STEP : 3



STEP : 4

