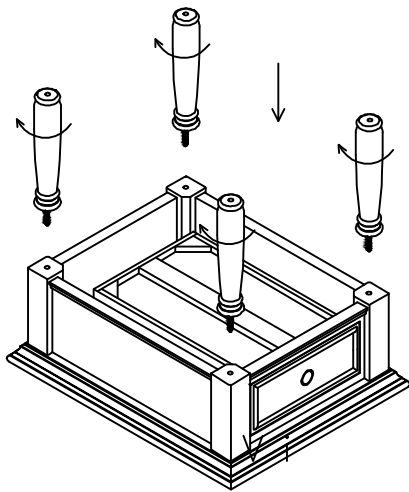




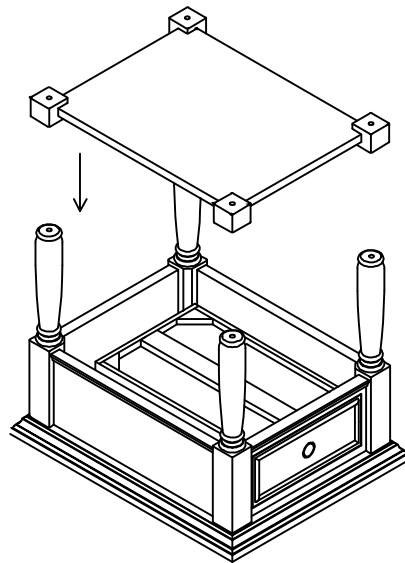
ASSEMBLY INSTRUCTION

ITEM NO: 2120-22

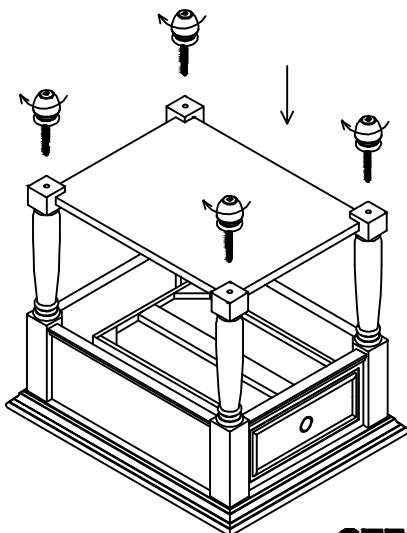
END TABLE



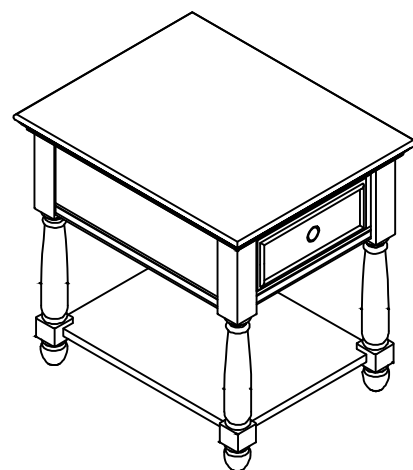
STEP 1



STEP 2



STEP 3



**DO NOT TIGHTEN SCREWS
UNTIL COMPLETELY ASSEMBLED**